

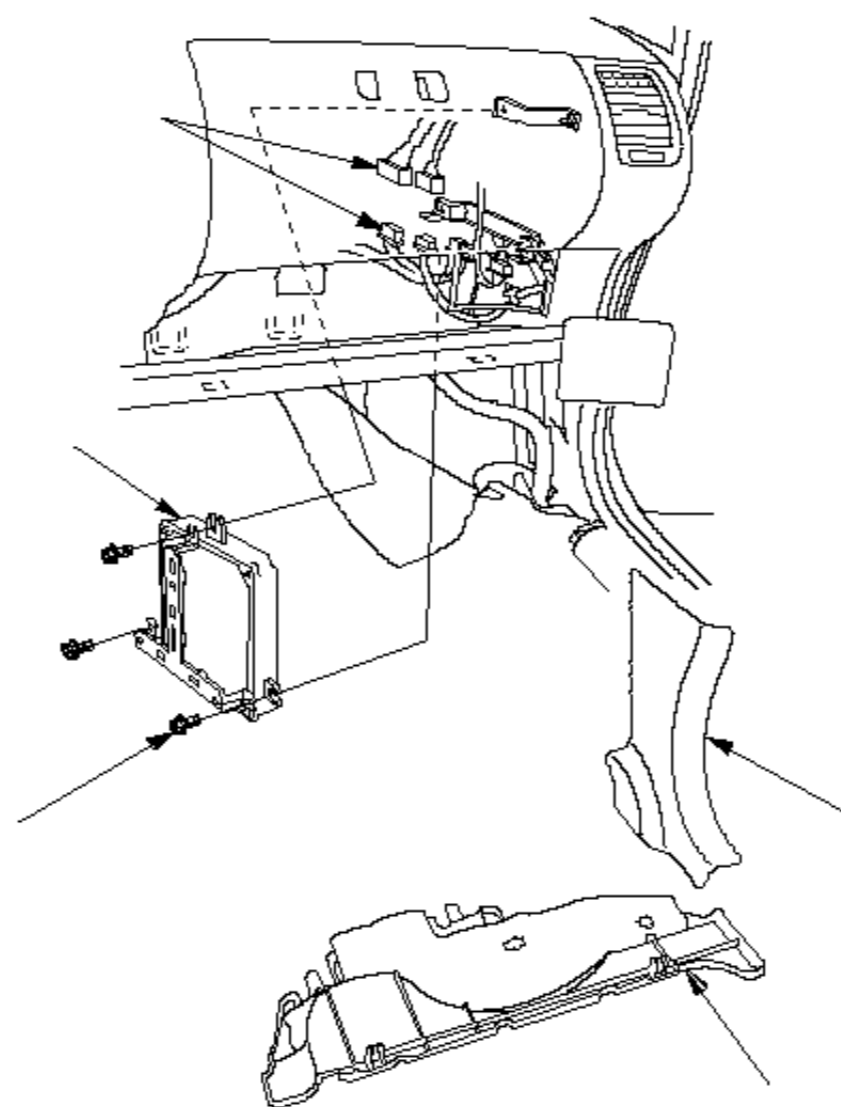


**DOWNLOAD**



**DOWNLOAD**

[Honda.odysey-pcm-reset](#)



[Honda.odysey-pcm-reset](#)



**DOWNLOAD**



**DOWNLOAD**

---

Apr 8, 2019 — Late models of Acura and Honda vehicles equip an electronic throttle body (ETB). The ETB is fully controlled by a vehicle computer. Disconnecting the battery can reset it or it might need reflashing. A new ECU is also a possibility. What is the problem? 2 people found this helpful .... Aug 23, 2019 — PCM failure can show itself in different ways. We're helping you identify 7 common PCM failure symptoms and what they mean for your car. Honda Coil Packs Ignition 17 parts Sort by: MinesHigh Performance Direct Ignition Coils. ... Honda Odyssey V6 3.5L 6 Piece Ignition Coil Set: 2009-2015: Honda: Pilot: Honda Pilot ... The coils and coil packs receive their signal from the PCM to fire at a calculated spark target. ... How to reset throttle position sensor honda .... Learn more about the 2013 Honda Odyssey for sale in Countryside, IL. Read more ... You can use two methods for resetting your car's computer. No matter what ...

Feb 2, 2008 — You could probably reset it by removing the negative cable from the battery for a few minutes. I've done it a few times and sometimes it seems like .... Sep 5, 2020 — Honda-Odyssey-2011-Electronic-Throttle-Valve-Idling-Programming-. 12.Select"ECM/PCM" has been reset"See picture 5 [f]idle running about ...

### **honda odyssey reset**

honda odyssey reset, honda odyssey reset oil life, honda odyssey reset maintenance minder, honda odyssey reset oil light, honda odyssey reset radio code, honda odyssey reset check engine light, honda odyssey reset tpms, honda odyssey reset oil, honda odyssey reset service light, honda odyssey reset computer

May 28, 2021 — The computer can detect the lower airflow based on inputs from the mass airflow sensor and commands an even larger throttle plate opening. But .... Aug 1, 2009 — This also applies to other Honda and Acura vehicles, such as the Acura TSX, TL, Civic, CRV, Element, Odyssey, etc. Remove key. When any of .... Jul 4, 2016 — Update 12/3/2012 - Took to Sears Auto yesterday for a recheck - they reset the terminals for the computer to learn itself again. Was able to .... Mar 26, 2018 — Hey all! New to Honda! Just picked up a 2007 Pilot EXL 124000 miles. It's due for the timing belt/water pump. Just wondering if it needs an ecu ...

### **honda odyssey reset maintenance minder**

Dec 15, 2020 — Category: Honda odyssey idle relearn procedure ... At idle, the computer commands the throttle plate to crack open slightly, much like the old ...

### **honda odyssey reset radio code**

Jan 26, 2021 — If you don't clean it, eventually the computer will open the throttle plate to its max and won't be able to open any further to maintain idle and you'll .... May 19, 2021 — 2007 Honda Odyssey ECU relearn. I was wondering if anyone knows the proper procedure for resetting he ecu.? I was driving the car for 3 days .... That's why the Honda Manuals say to reset the PCM first. ... I was having this same problem on my '08 Honda Odyssey with higher than normal/spec idle and .... How to Reset the Honda Accord Oil Life Indicator ... will receive the data from the powertrain control module or the PCM, which is the main onboard computer. Dec 14, 2020 — Honda odyssey idle relearn procedure ... If you don't clean it, eventually the computer will open the throttle plate aiatatami its max and won't be .... The vehicle VIN is 5fnr118602b000145. The issue is regarding a pen recall for 2002 Odyssey with a rebuilt transmission, which my wife's car does not have. Her .... The electronic control unit runs everything under the hood on your Honda Civic, Honda Accord ECM ECU PCM Honda Accord Engine Computer. Jun 4, 2008 #2 .... Feb 12, 2020 — It indicates that your Honda Odyssey's keep alive memory has had an error. ... Keep alive memory is the data that your Odyssey's PCM (Powertrain ... If they are loose, damaged, or corroded it can reset the keep alive memory.. Compare the 2019 Honda Odyssey vs the 2018 Honda Odyssey. ... There are a few ways to reset your Engine control modules. ... Drive the car for at least 10 miles for the ecu to learn, if there is a problem with your vehicle then the check. ab995cc31a